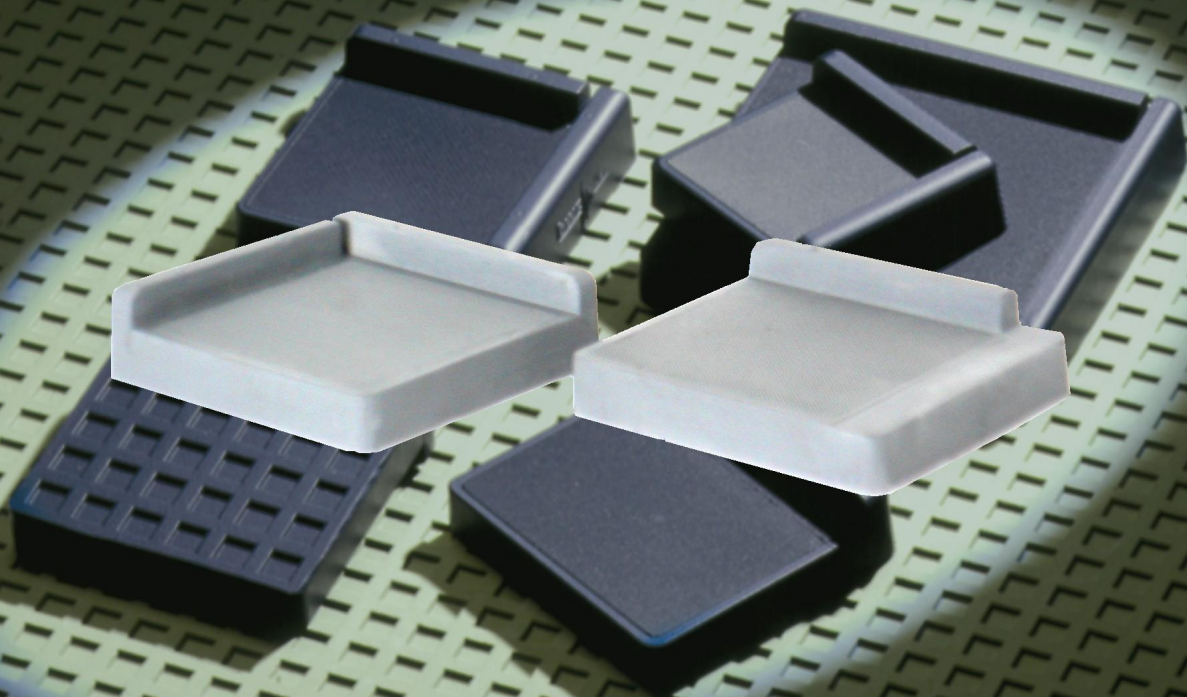
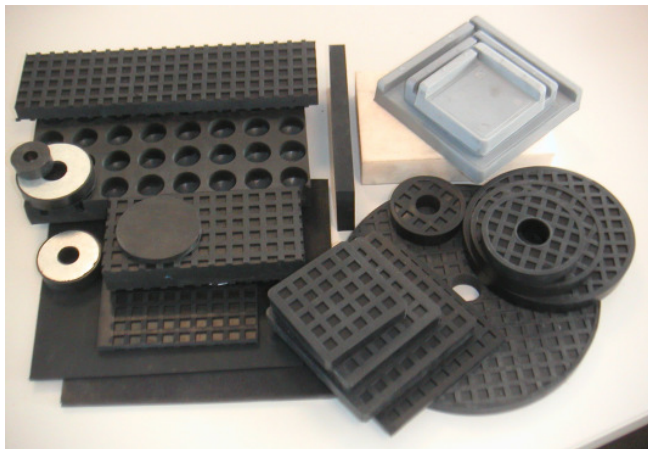


# **bwz**<sup>®</sup> Schwingungs- Technik

*bwz*<sup>®</sup> -Corner Shapes



# bwz<sup>®</sup> -NBR-moulded plates



Optical professional under your equipment can turn up with round and square moulded plates. For attenuation and isolation we deliver selected elements as see below. Material parameter are described in the bwz - vibration technology pdf-file catalogue. Other areas dimensions we offer as cutted plates from max. 525x525 mm.

Options mean:

NBR9015/XX/YY – material Shore/thickness,  
XX = Typ/cut dimension/mm,  
with profil in maximum (525<sup>2</sup>mm)

YY = OO doubleside smooth

PO one side smooth

PP doubleside antiskid profile

Maximal plate dimensions:

Article-describtion	dimensiones/mm	Other features
Cellasto MH 24-35/500x250x20	500x250x30	
ISOMATE/560 <sup>2</sup> x20	560x560x20	
GRP-S	10.000x1250x15	Rolling stock
NBR5514/525 <sup>2</sup> /OO	525x525x14	
NBR5518/525 <sup>2</sup> /PP	525x525x18	
NBR7511/525 <sup>2</sup> /OO	525x525x11	
NBR7511/525 <sup>2</sup> /PP	525x525x11	
NBR7015/525 <sup>2</sup> /PP	525x525x15	
NBR7025/525 <sup>2</sup> /PP	525x525x25	
NBR9002/525 <sup>2</sup> /OO	525x525x02	
NBR9005/525 <sup>2</sup> /OO	525x525x05	
NBR9007/525 <sup>2</sup> /PO	525x525x07	
NBR9011/525 <sup>2</sup> /OO	525x525x11	
NBR9011EL/525 <sup>2</sup> /OO	525x525x11	electrical conductible
NBR9014/525 <sup>2</sup> /OO	525x525x14	
NBR8515/525 <sup>2</sup> /PP	525x525x15	
NBR8525/525 <sup>2</sup> /PP	525x525x25	

Construction parts:

Article-describtion	dimensiones/mm	Other features
NBR7515/7V/PO	71x71x15	
NBR7515/10V/PO	88x88x15	
NBR7515/12V/PO	108x108x15	
NBR7010/K4	Ø 29x10	one side profiled
NBR7010/K5	Ø 38x10	one side profiled
NBR7010/K6	Ø 50x10	one side profiled
NBR7010/K8	Ø 70x10	one side profiled
NBR7010/K10	Ø 90x10	one side profiled
NBR7010/K12	Ø 110x10	one side profiled
NBR7005/medi	Ø 55/15x5	With hole
NBR7515/5R/PO	Ø 50/20x15	With hole
NBR9015/6R/PO	Ø 59/20x15	With hole
NBR7515/7R/PO	Ø 73/23x15	With hole
NBR7515/10R/PO	Ø 97/24x15	With hole
NBR7515/13R/PO	Ø 131/45x15	With hole
NBR7515/16R/PO	Ø 150/25x15	With hole
NBR7515/20R/PO	Ø 200/25x15	With hole
NBR9015/5R/PO	Ø 50/20x15	With hole
NBR9015/6R/PO	Ø 59/19x15	With hole

Article-describtion	dimensiones/mm	Other features
NBR9015/7R/PO	Ø73/23x15	With hole
NBR9015/10R/PO	Ø 97/24x15	With hole
NBR9015/13R/PO	Ø 131/45x15	With hole
NBR9015/16R/PO	Ø 150/25x15	With hole
NBR9015/20R/PO	Ø 200/25x15	With hole
NBR9015/ 7V/PO	71x71x15	
NBR9015/10V/PO	88x88x15	
NBR9015/12V/PO	110x110x15	
NBR9002/FK04/OO	112x112x02	
NBR9006/FK04/OO	112x112x06	
NBR9006/FK04/PO	112x112x06	
NBR9015/FK04/PO	112x112x15	
NBR9015/FK05/PO	123x123x15	
NBR9015/FK03/PO	148x73x15	
NBR9006/FK03/PO	148x73x05	
NBR9006/FK07/OO	148x148x06	
NBR9006/FK07/PO	148x148x06	
NBR9015/FK07/OO	148x148x15	
NBR9015/FK07/PO	148x148x15	
NBR9005/FK06/OO	198x93x05	
NBR9005/FK06/PO	198x93x06	
NBR9015/FK06/PO	198x93x15	
NBR9025/FK06/PO	198x93x25	
NBR9002/FK10/OO	198x198x02	
NBR9006/FK10/PO	198x198x06	
NBR9015/FK10/PO	198x198x15	
NBR9025/FK10/PO	198x198x25	

## bwz<sup>®</sup> - shape corners

simple put under

For fast and problem-free bearing of equipment, not level justable machines bearing.

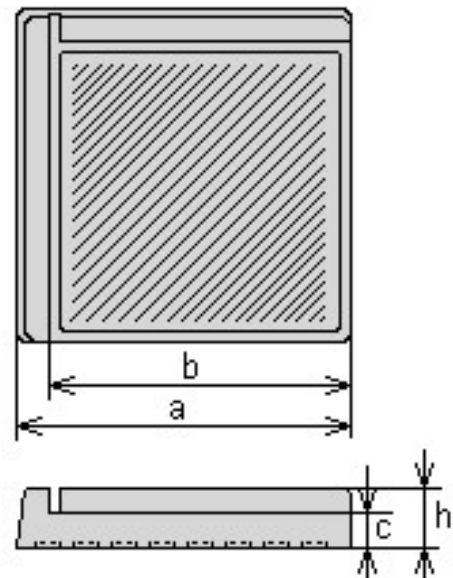
bwz - shape corners are high elastically and dispose over an high damping properties against horizontal forces and are suitable as for appliances, aggregates, air-conditioner technology, heatings, pumping, compressors, hydraulics tanks and others.

bwz - shape corners are quadratic. The machine move is prevented by on two sides angle stops, at the upside a raffle and at the underside an antiskid profile.

The separation of a side stop provides long bearing distances to shorten.

As material get black nitrile rubber (NBR) with 70° Shore (A) used. NBR is resistant against leayes, acids, soap solutions, salts, benzine and mineral oil.

The dynamical nominal frequency under maximal load is determined by ca. 13 Hz.



TYP	Max. Load / daN	Dimension / mm				weigth / Kg/dm <sup>2</sup>
		a	b	c	h	
7E	400	75	63	15	25	0,140
9E	600	90	78	15	25	0,177
12E	1300	125	113	15	25	0,357